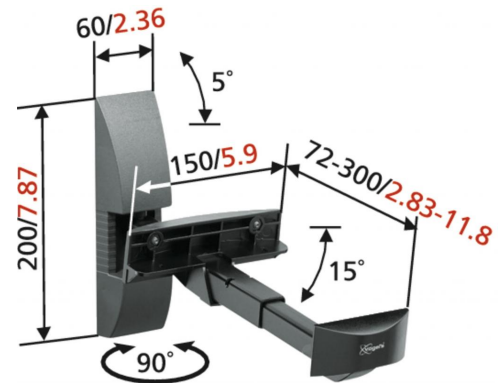


VLB 200 Loudspeaker wall mount (2x)

Wall mount your bookshelf speaker (up to 20kg) without screwing into the speaker.

Turn	90
Tilt	15
Guarantee	5 years



VLB 200 Loudspeaker wall mount (2x)

Clamping construction makes screw-less mounting of your speaker possible. Features a tilt and turn function to guarantee an optimal listening position.

Features

- For medium-size speakers
- No screws required, due to the clamping construction

Logistic information

EAN Code Product	8712285001024
Net weight including packaging (kg)	2
Single Box Width (mm)	305
Single Box Length (mm)	205
Single Box Height (mm)	70

