

ELITE Series TV Wall Mounts

Every large TV, mounted with elegance



New TV Wall Mount product line

Vogel's gives the market for TV wall mounts a fresh impulse with the introduction of a new product line: ELITE.

The products are optimally tailored to today's market with larger screens of up to 100 inches! The support arms have been lengthened, for example, and the load capacity has also been considerably increased. In addition, the packaging is 'eco friendly', in line with the sustainability ambitions of Vogel's.

A top of the range TV deserves a top of the range TV wall mount. That's why Vogel's developed the ELITE line. Our series of high-end elegantly TV mounts, with weight-bearing capacity and ultra slim design. Specially designed for top performance.



**DESIGN &
PERFORMANCE**

ELITE Series

Design & Performance

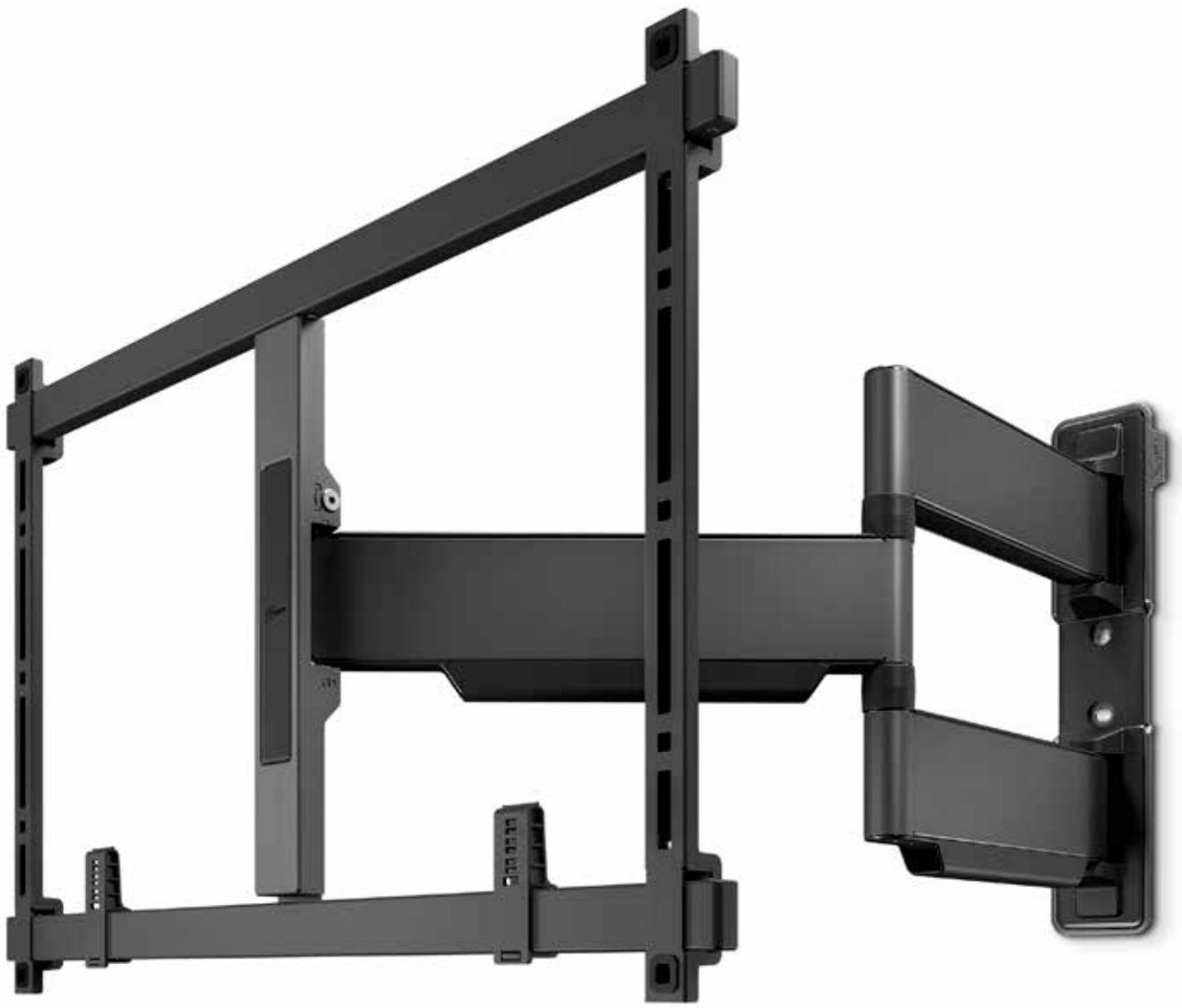
ELITE TV wall mounts combine elegant design with unprecedented strength. The ultimate solution for large premium TVs, such as OLED and QLED TVs. The ultra slim design blends seamlessly with the minimalistic look of these TVs. At the same time, the TV mounts have a huge weight-bearing capacity.

ELITE TV wall mounts are suitable for TVs from 32 to 100 inches in size, weighing up to 100 kg - ideal for your valuable OLED or QLED screen.

The ELITE **Forward Motion** TV wall mount is a special, Full-Motion+ version. Designed for enormous weight-bearing capacity and suitable for TVs up to 75 kg. Thanks to the ingenious 4-arm mechanism with an arm length of 69 cm, this is the strongest full-motion TV wall mount in our range.

ELITE **Full-Motion+** TV wall mounts represent pure elegance and ease of use. In the starting position, there is only 4 cm between the TV and the wall. And with OneFinger™ Movement, you can smoothly turn the TV to the desired position with just one finger, thanks to the special bearings and extra-reinforced steel axles.

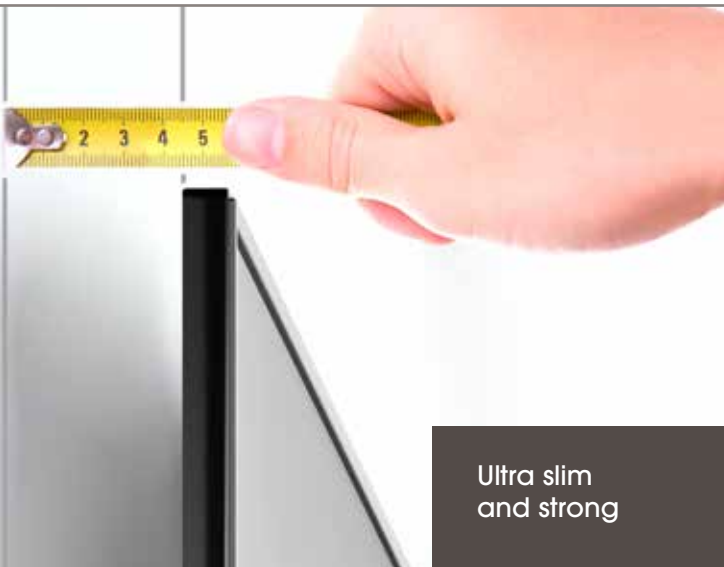
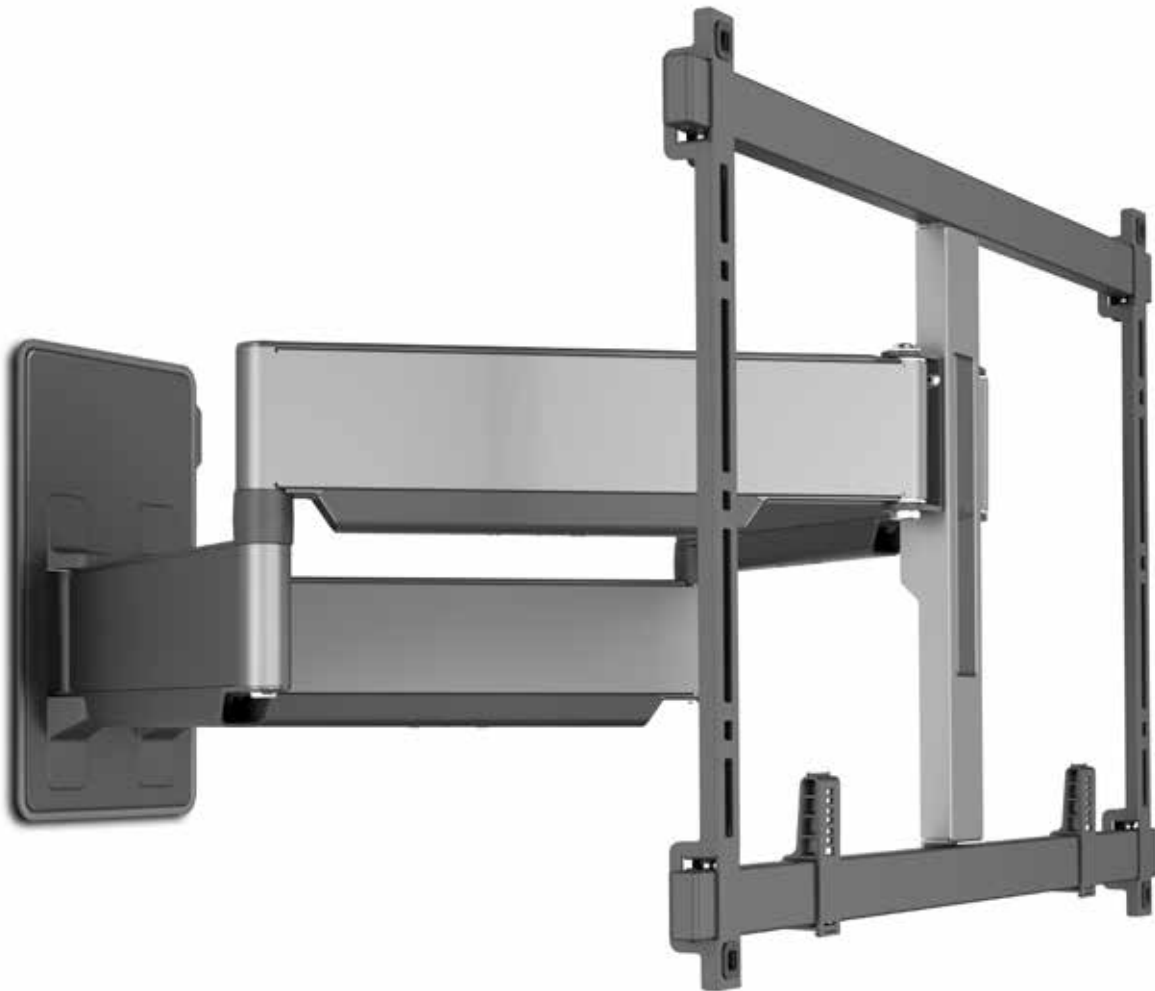
With the ELITE **Fixed** TV wall mounts, your valuable TV is mounted extremely flat against the wall, the slimmest wall mount in our range. Thanks to the Auto-ClickLoc™ Safety System, your TV is mounted safely with a simple audible click. Special TV pads on the wall mount prevents the back of your TV from being damaged when it is clicked into place. Plus, you can neatly tuck away the cables behind the TV using the integrated cable clips.



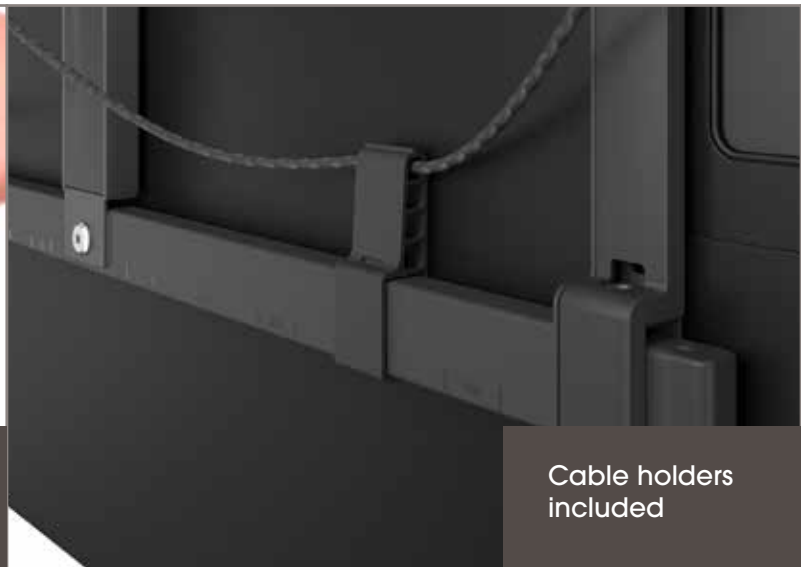
Important advantages of the ELITE Series

- Ultra slim and strong
- Ideal for OLED/QLED TVs
- Hide and guide your unsightly cables
- Mounting made easy with our free DrillRight™ AR App
- Drilling template, bolts, plugs and spirit level included
- 15 years guarantee

Forward Motion



Ultra slim
and strong



Cable holders
included



- Ultra slim and strong - Only 4,5 cm from the wall, ideal for large OLED/QLED TVs
- Our toughest and strongest hero - Bears up to 75 kg.
- Smooth OneFinger™ Movement- Thanks to coated bearings and precision steel shafts
- Perfectly level installation - Free spirit level included
- 2D-Leveling™: Keep your TV always level - Precise after-installation leveling (horizontally and vertically)
- Protective TV patches - Protect the rear of your TV with soft protective patches
- Elegant Cable Inlay System (CIS®) - Guide your cables through the arms from TV to wall
- Cable holders included - Manage the cables neatly on the back of the TV
- Super sturdy installation - With the extra wide wall plate with 6 robust screws and 6 fischer® DUO POWER plugs



Free spirit level included



Super sturdy wall plate

Full-Motion⁺



Ultra slim
and strong



Elegant Cable
Inlay System

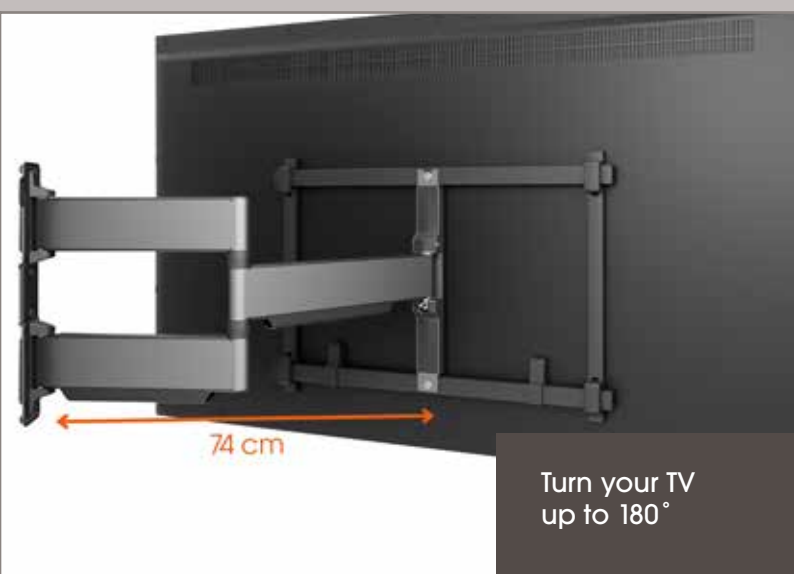


- Ultra slim and strong - Only 4 cm from the wall, ideal for large OLED/QLED TVs
- Smooth OneFinger™ Movement- Thanks to coated bearings and precision steel shafts
- Perfectly level installation - Free spirit level included
- 2D-Levelling™: Keep your TV always level - Precise after-installation levelling (horizontally and vertically)
- Protective TV patches - Protect the rear of your TV with soft protective patches
- Elegant Cable Inlay System (CIS®)- Guide your cables through the arms from TV to wall
- Cable holders included - Manage the cables neatly on the back of the TV
- Turn your TV up to 180° with 56 (S) | 65 (M) | 74 (L) cm long arms*

*Depending on screen size



Move your TV smoothly



74 cm

Turn your TV up to 180°

Fixed



Our slimmest
wall mount



Integrated
cable clips



- Our slimmest wall mount - Only 1,5 cm from the wall, ideal for OLED/QLED
- Created for the largest screens - Supports maximum weight of 100 kg, safety tested
- Lock your TV with a single click - Easily secure or release your TV through Auto-ClickLoc™
- Keep your TV always level - Easy after installation, vertical levelling
- Perfectly level installation - Spirit level included
- Protective TV padding - Protect the rear of your TV with soft protective padding
- Integrated cable clips - Guide your cables on the back of your TV



**Auto
ClickLoc™**
SAFETY SYSTEM

Lock your TV with
a single click



Protective TV
padding

NEW



TVM 5850 Series Full-Motion TV Wall Mount

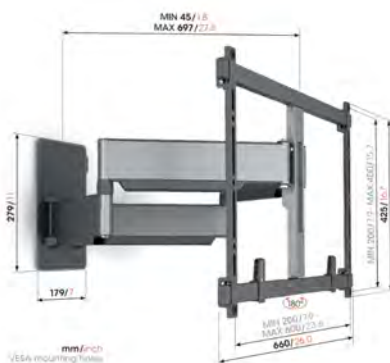


NEW

TVM 5840 Series Full-Motion+ TV Wall Mount



Name	TVM 5855 Full-Motion TV Wall Mount	TVM 5845 Full-Motion TV Wall Mount
Specifications		
Min. / Max. TV screen size (inch)	55 / 100	55 / 100
Max. weight load (kg)	75	55
Max. VESA hole pattern (mm)	600 x 400	600 x 400
Number of pivot points	4	3
Turn	Up to 120°	Up to 180°
Min. / Max. distance to the wall (mm)	48 / 697	40 / 740
Cable management	<ul style="list-style-type: none"> • Cable fingers for cable management on the back of your TV • CIS® Cable Inlay System 	<ul style="list-style-type: none"> • Cable fingers for cable management on the back of your TV • CIS® Cable Inlay System
Spirit level included	•	•
Guarantee		
TÜV certified		
Guarantee	15 years	15 years
General		
Colour	Black	Black
Article number	5858550	5858450
EAN single box	8712285354809	8712285354786
What's in the box	<ul style="list-style-type: none"> • Wall mount • Wall mounting kit with fischer® Duo Power plugs • TV fasteners kit • Spirit level • Quick Installation Guide • DrillRight™ AR app • Drilling template 	<ul style="list-style-type: none"> • Wall mount • Wall mounting kit with fischer® Duo Power plugs • TV fasteners kit • Spirit level • Quick Installation Guide • DrillRight™ AR app • Drilling template
Number in outer box (#)	2	2



NEW



TVM 5640 Series
Full-Motion+ TV Wall Mount

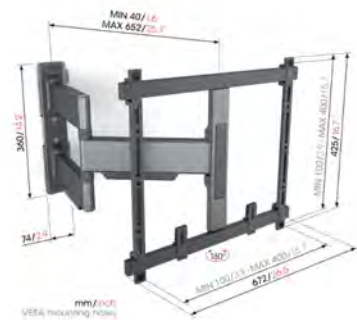
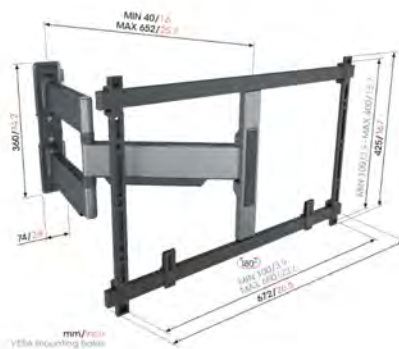
NEW

TVM 5440 Series
Full-Motion+ TV Wall Mount

FULL-MOTION+



Name	TVM 5645 Full-Motion TV Wall Mount (white) TVM 5645 Full-Motion TV Wall Mount (black)	TVM 5445 Full-Motion TV Wall Mount (white) TVM 5445 Full-Motion TV Wall Mount (black)
Specifications		
Min. / Max. TV screen size (inch)	40 / 77	32 / 65
Max. weight load (kg)	45	35
Max. VESA hole pattern (mm)	600 x 400	400 x 400
Number of pivot points	3	3
Turn	Up to 180°	Up to 180°
Min. / Max. distance to the wall (mm)	40 / 652	40 / 562
Cable management	<ul style="list-style-type: none"> • Cable fingers for cable management on the back of your TV • CIS® Cable Inlay System 	<ul style="list-style-type: none"> • Cable fingers for cable management on the back of your TV • CIS® Cable Inlay System
Spirit level included	•	•
Guarantee		
TÜV certified		
Guarantee	15 years	15 years
General		
Colour	Black White	Black White
Article number	5856450 (Black) 5856451 (White)	5854450 (Black) 5854451 (White)
EAN single box	8712285348006 (Black) 8712285355042 (White)	8712285347948 (Black) 8712285355028 (White)
What's in the box	<ul style="list-style-type: none"> • Wall mount • Wall mounting kit with fischer® Duo Power plugs • TV fasteners kit • Spirit level • Quick Installation Guide • DrillRight™ AR app • Drilling template 	<ul style="list-style-type: none"> • Wall mount • Wall mounting kit with fischer® Duo Power plugs • TV fasteners kit • Spirit level • Quick Installation Guide • DrillRight™ AR app • Drilling template
Number in outer box (#)	2	3



NEW

TVM 5600 Series

Fixed TV Wall Mount



NEW

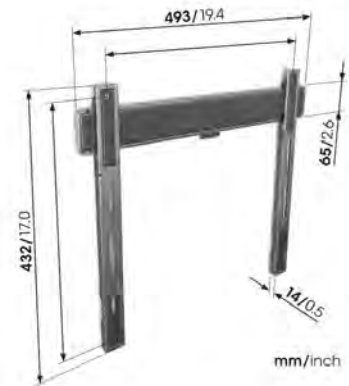
TVM 5400 Series

Fixed TV Wall Mount

FIXED



Name	TVM 5605 Fixed TV Wall Mount	TVM 5405 Fixed TV Wall Mount
Specifications		
Min. / Max. TV screen sizes (inch)	40 / 100	32 / 77
Max. weight load (kg)	100	75
Max. VESA hole pattern (mm)	600 x 400	400 x 400
Min. distance to the wall (mm)	13	15
Spirit level included	•	•
Guarantee		
TÜV certified		
Guarantee	15 years	15 years
General		
Colour	Black	Black
Article number	5856050	5854050
EAN single box	8712285347962	8712285353086
What's in the box	<ul style="list-style-type: none"> • Wall mount • Wall mounting kit with fischer® Duo Power plugs • TV fasteners kit • Spirit level • Quick Installation Guide • DrillRight™ AR app • Drilling template 	<ul style="list-style-type: none"> • Wall mount • Wall mounting kit with fischer® Duo Power plugs • TV fasteners kit • Spirit level • Quick Installation Guide • DrillRight™ AR app • Drilling template
Number in outer box (#)	4	4





Environmentally friendly packaging

As the market leader, Vogel's stands for the security of making the best choice: For Sure. To make this proposition as visible as possible, Vogel's is introducing a new packaging design. This makes Vogel's stand out on the shelf.

An important message on the new packaging is "Safety First". Research shows that a lot of consumers consider safety to be the most important factor when buying a wall mount. Vogel's offers that security like no other. For example, the maximum tested weight load for our TV wall mounts is actually three times higher than stated. Because of this, our products are TÜV certified. We explain this briefly on the packaging.

Care for the environment is important to us at Vogel's. The new packaging has therefore been made as environmentally friendly as possible. The packaging no longer contains EPS (Expanded Polystyrene) parts. In addition, we have reduced the use of single-use plastics by 95%. Furthermore, it is good to know that both the products and the packaging are produced in accordance with the Business Social Compliance Initiative (BSCI).



RESPECTING
PEOPLE & PLANET



E-Partner Program™

As an e-tailer, you'd like to increase your conversion rate as efficiently as possible. That's why Vogel's offers the E-Partner Program™ (EPP), with lots of tools and resources to make it easier for you:

- Easily access rich content via Icecat, APIs or customised live feeds.
- Embed videos from Vogel's YouTube channel or use Flixxmedia for up-to-date, inspiring and conversion-rate-enhancing product information, images and videos.
- Automatically display reviews in your webshop via the Bazaarvoice platform to boost your conversion rate and increase the prominence of your website.
- Integrate our Flatscreenfilter into your webshop, that consumers can easily find the right TV wall mount.
- Use our data on bundle sales to significantly increase your turnover.
- Make it easy on yourself by using our up-to-date content offer.

Would you like to know more about the E-Partner Program™? Do you need help implementing one of our tools? Or would you like tailored advice from our e-commerce team? Please contact us, we are happy to help!





Maximise the wall mount category

With Vogel's TV wall mounts in your assortment you can get the most out of the categories. Vogel's makes it easier to sell the right mount with every TV sold and maximising your 'attach sales'.

In addition Vogel's offers a high quality product with the added value your customer seeks. This means you'll never have to deal with dissatisfied customers and you maximise the average cash value of the wall mount.

What makes a Vogel's TV wall mount so special?

This is a question we are often asked. As the market leader in TV wall mounts and other AV equipment, we aim to reassure you that you are getting the best solution. Because when you are looking for an accessory, you don't just choose anything.

With Vogel's, you can offer customers the best-designed mounting solution for their valued TV. Our new range of models, ranging from Fixed, Full-Motion and Forward Motion, are all rigorously tested and built to last, with upgraded specifications.

Add the support we offer to help increase the TV attach rate and average sales price, you'll be sure to boost your category performance.

Vogel's. For Sure.



The consumer can get started immediately after purchase. A drilling template, screws and fischer® DuoPower plugs are included in the packaging as standard. For added ease of installation, there is also the free DrillRight™ Augmented Reality App.

Moreover, ELITE wall mounts are designed to last. Even after years of intensive use, they remain with performance and design. This means that we can offer consumers a 15-year guarantee on all wall mounts in the ELITE Series.



Follow Vogel's:



[/VogelsForSure](#)



[/c/VogelsForSure](#)



[/company/vogels](#)



[/VogelsForSure](#)



[/vogels_official](#)

Disclaimer

While every effort is made to ensure the accuracy of the information provided, Vogel's shall not be held responsible for any errors. This also applies to mistakes or omissions in respect of prices or measurements. Not all products are available in every country.

Vogel's. For Sure.