

BERGEN AV2

The Bergen rapidly stood out as favorites audiophiles in the range NorStone .

With its 3 large shelves, Bergen AV 2 is the ideal furniture for audio - video systems and high fidelity premium . Its height is optimized for the placement of a good size flat screen . It presents itself as a piece of furniture suitable both for video as high fidelity. The integral legs trays improve the rigidity of the assembly . Each floor including the lower level, then has its decoupling system spikes / tailstock .

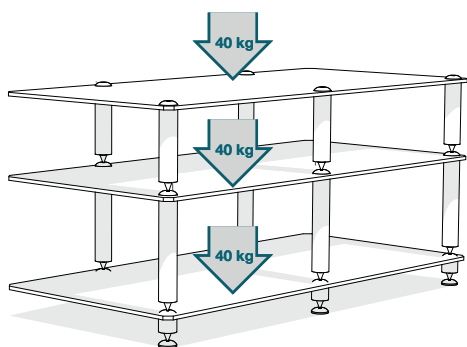
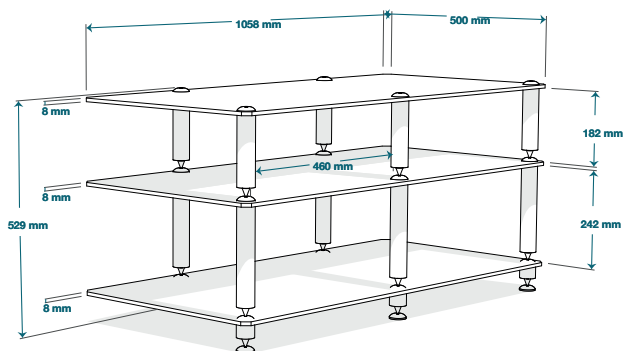


TV
50" MAX
40/40/40 KG MAX

COLOR(S)



SPÉCIFICATIONS



DESIGN

Finish : Glossy Black/Black

Structure : Glossy black powder coated steel

Shelves : Black lacquered tempered glass

MAXIMUM LOAD

Upper shelf : 40 kg

Internal shelf : 40 kg

Lower shelf : 40 kg

USABLE DIMENSIONS

Overall dimensions (W x H x D) : 1058 x 529 x 500 mm

Shelves (W x D) : 460 x 402 mm (x2)

Height between shelves : (a) 182 mm
(b) 242 mm

PACKAGING

Delivered disassembled with screws kit, mounting instructions tools

Quantity/box : 1

Type : Brown cardboard

Dimensions (W x H x D) : 1150 x 115 x 585 mm

Gross weight : 39,9 kg

Net weight : 35 kg

GenCode : 3760108801707

ALSO AVAILABLE

Bergen 2

