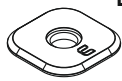


BLUESOUND®

Installation Instructions for WM200 Wall Mount Bracket

A - Cover



B - M6x12mm



C - M6x16mm



E - Bobbin



D - O-ring



F - M6x20mm



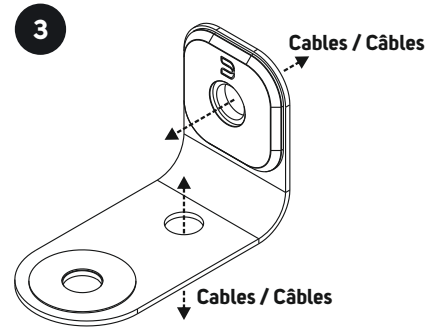
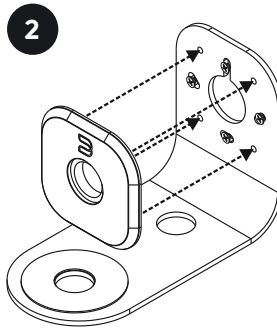
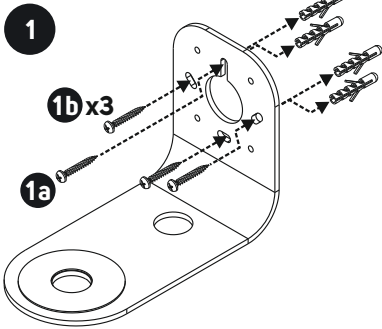
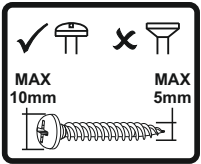
G - Self-adhesive bolt cover



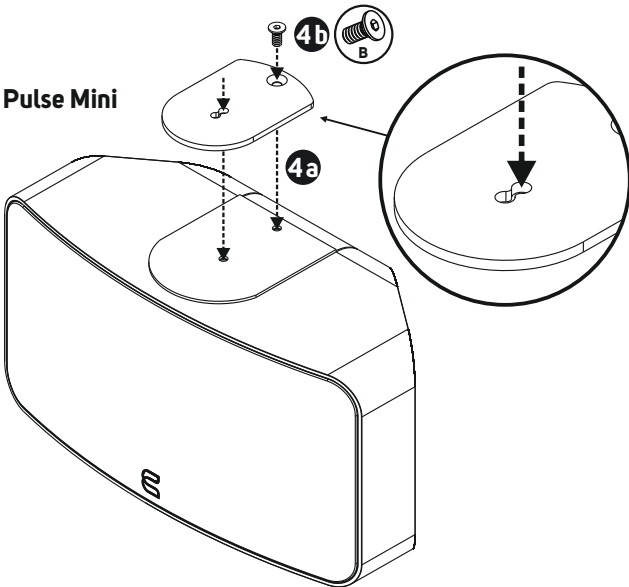
H - Bung X2



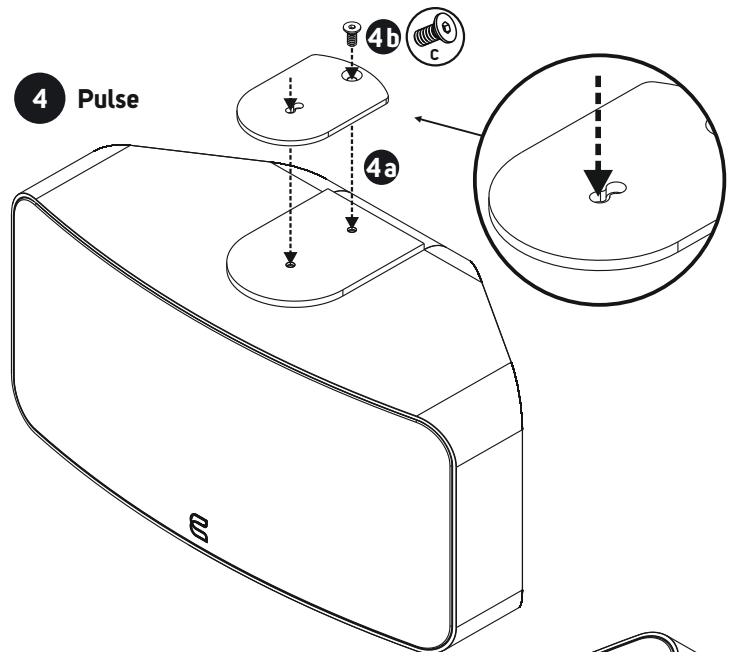
I - Allen key



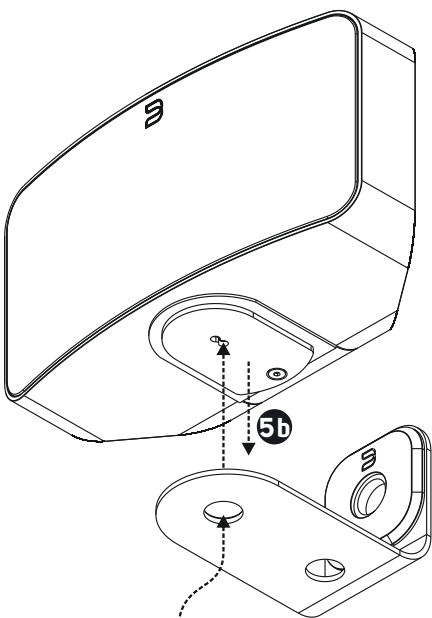
4 Pulse Mini



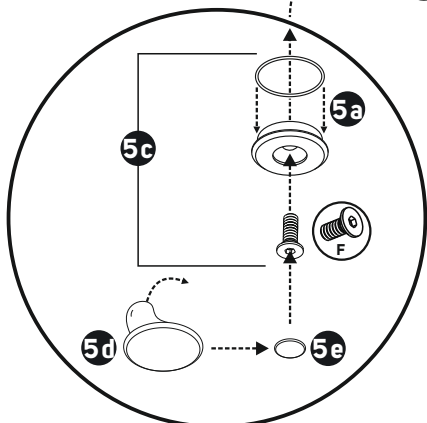
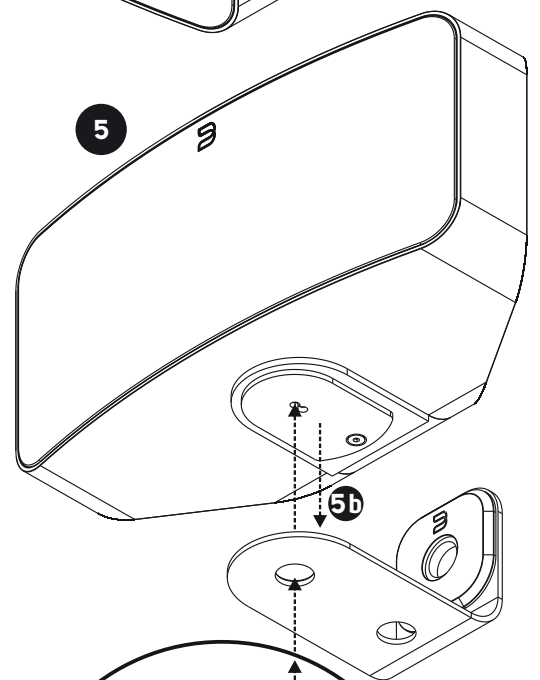
4 Pulse



5



5



6

H - Bung X2

